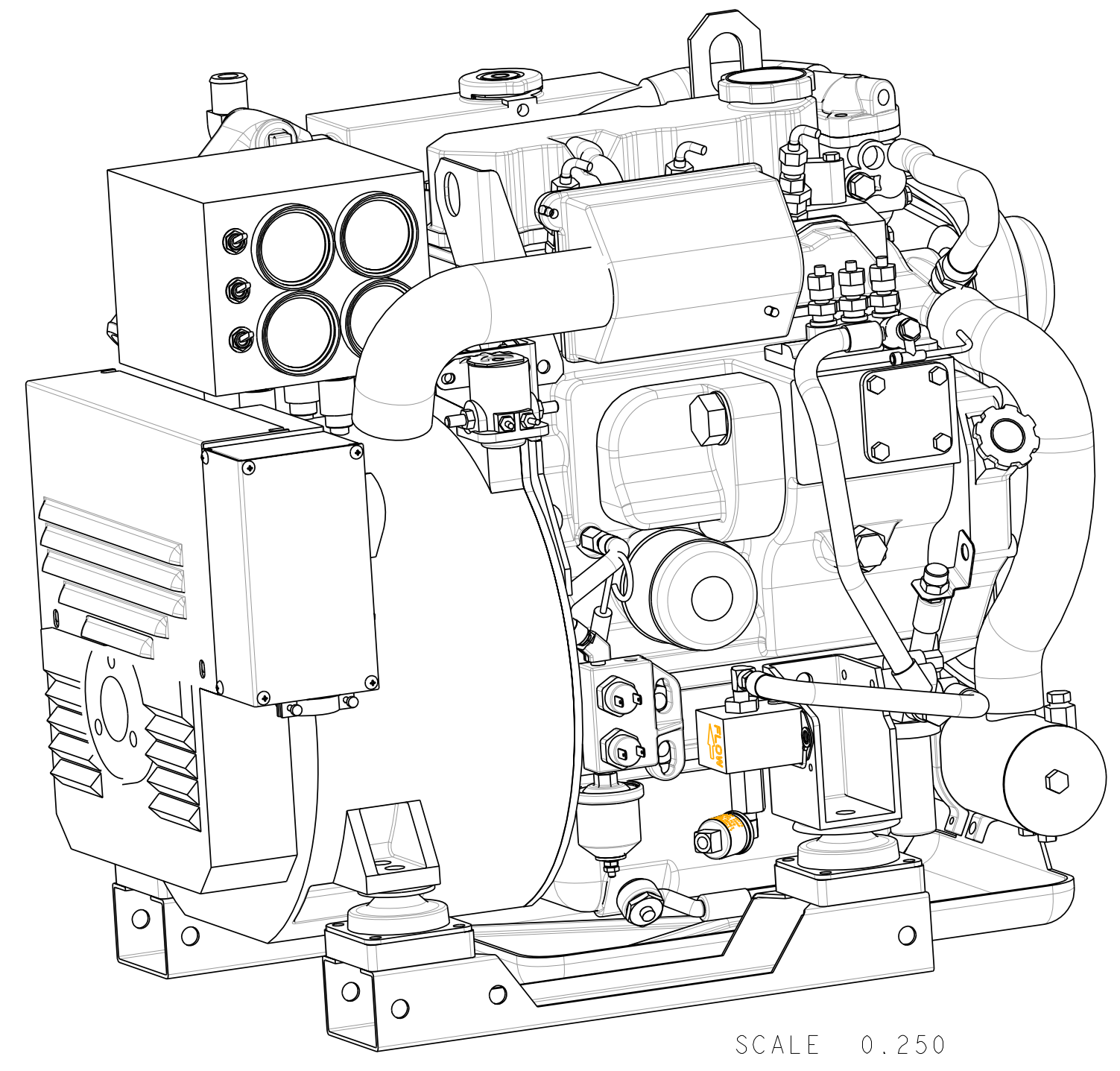
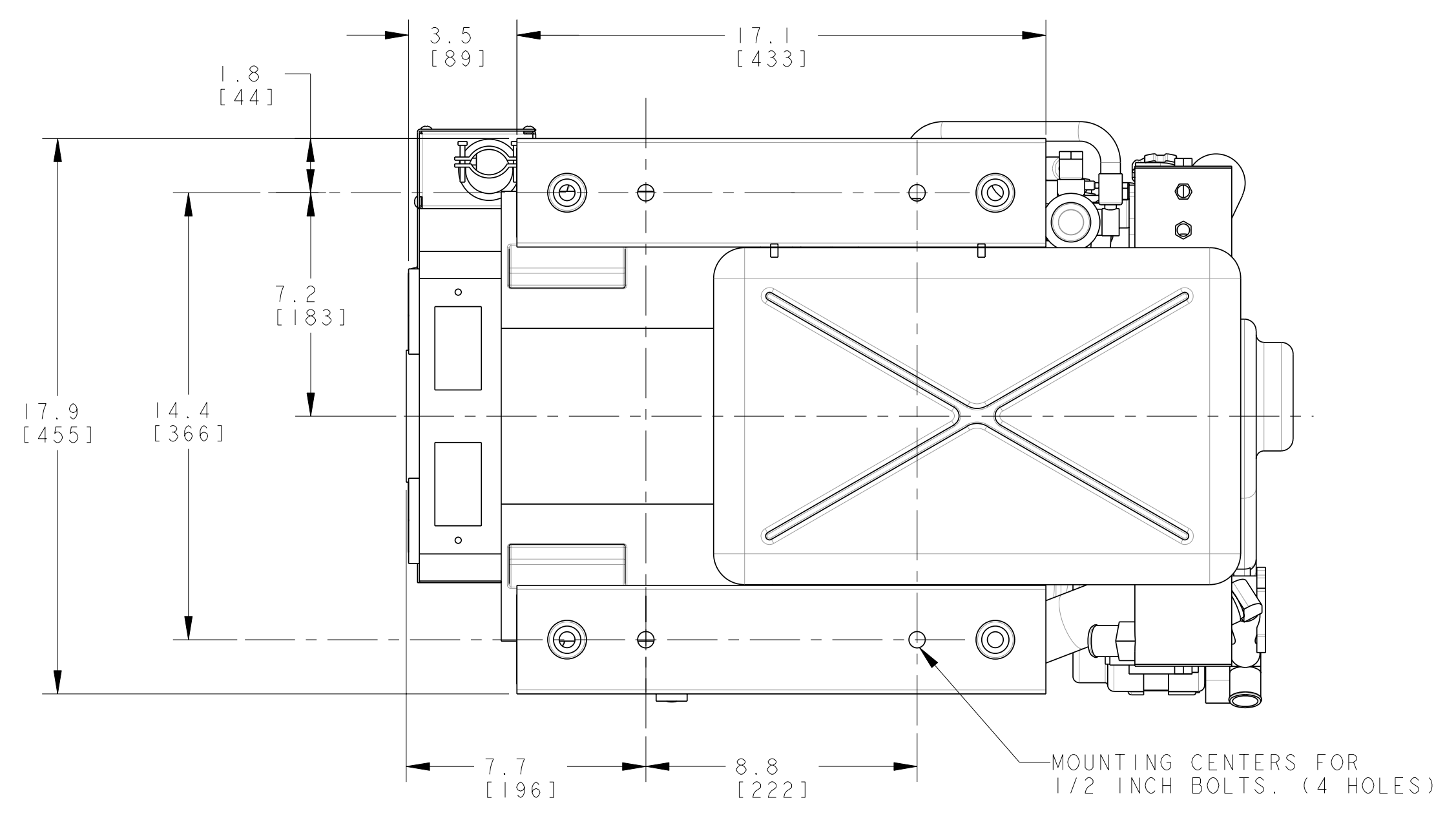
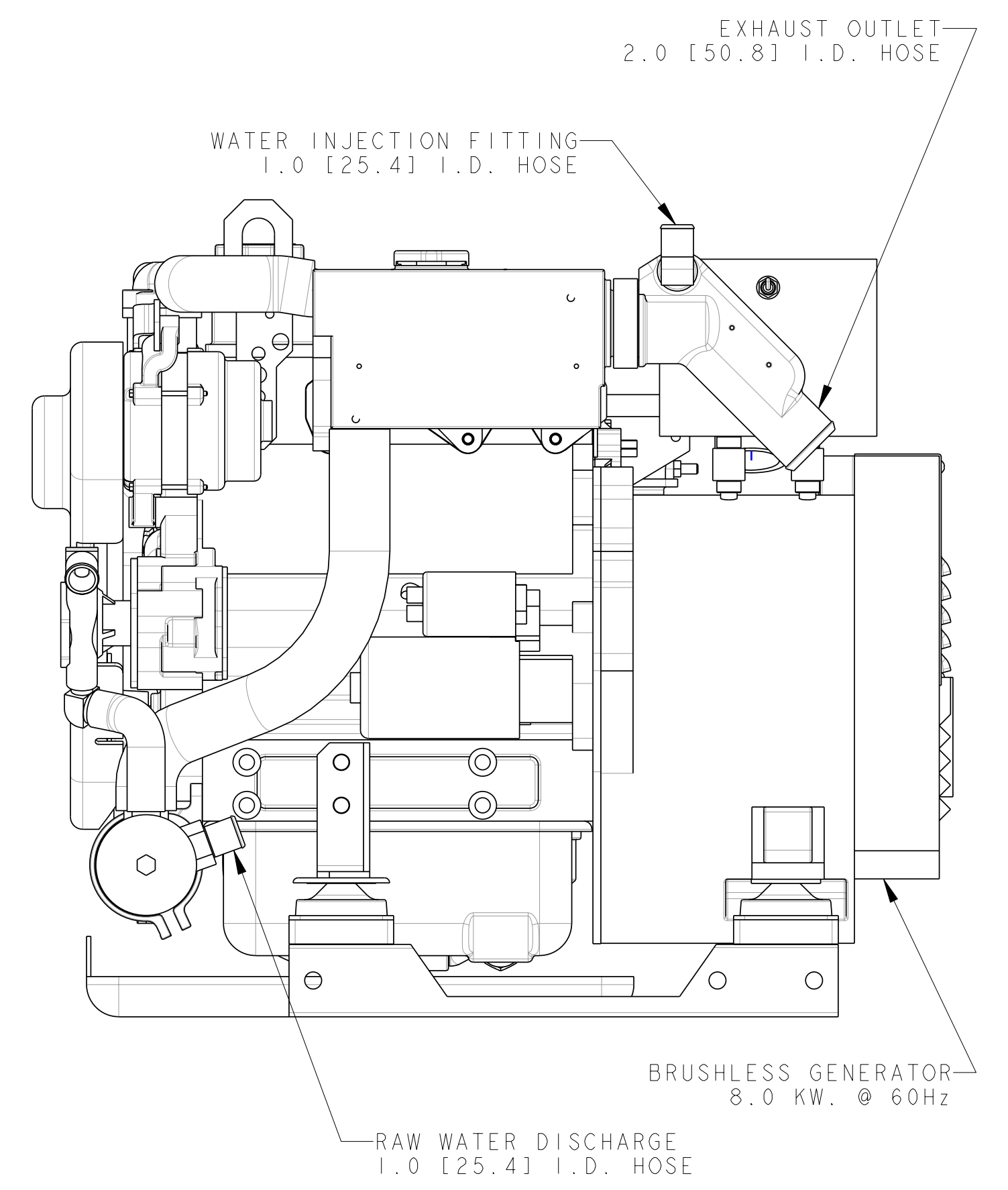
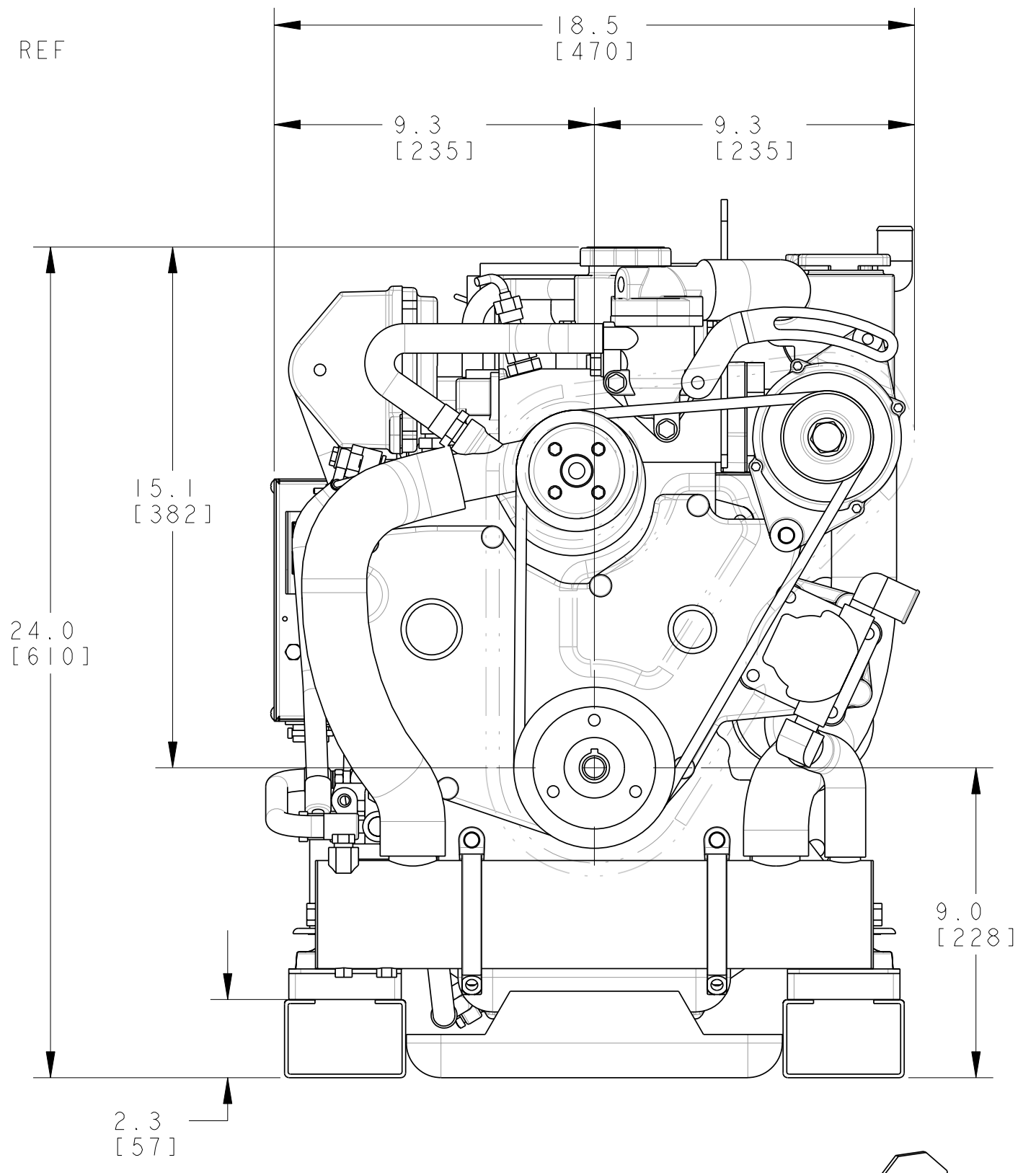
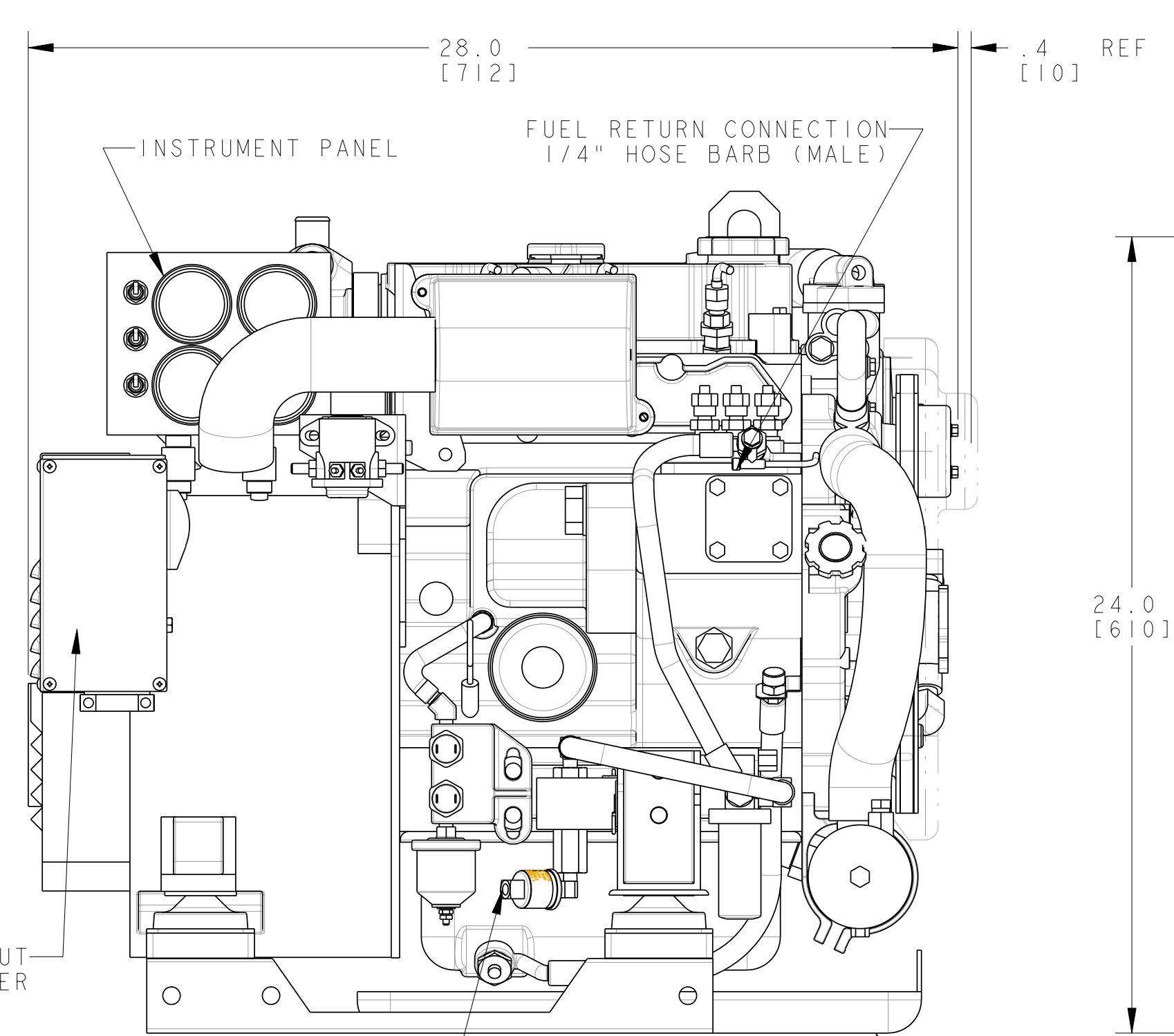
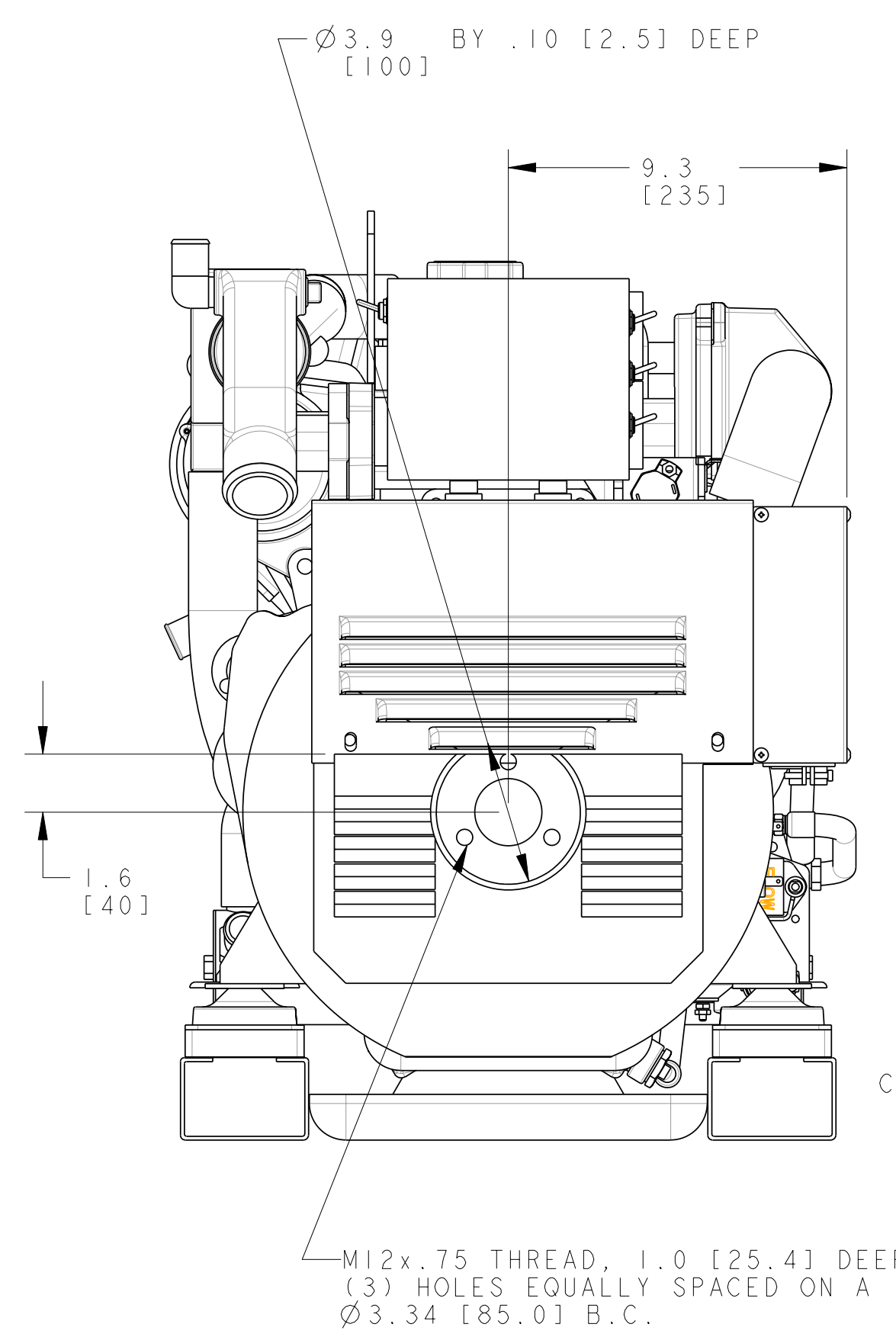
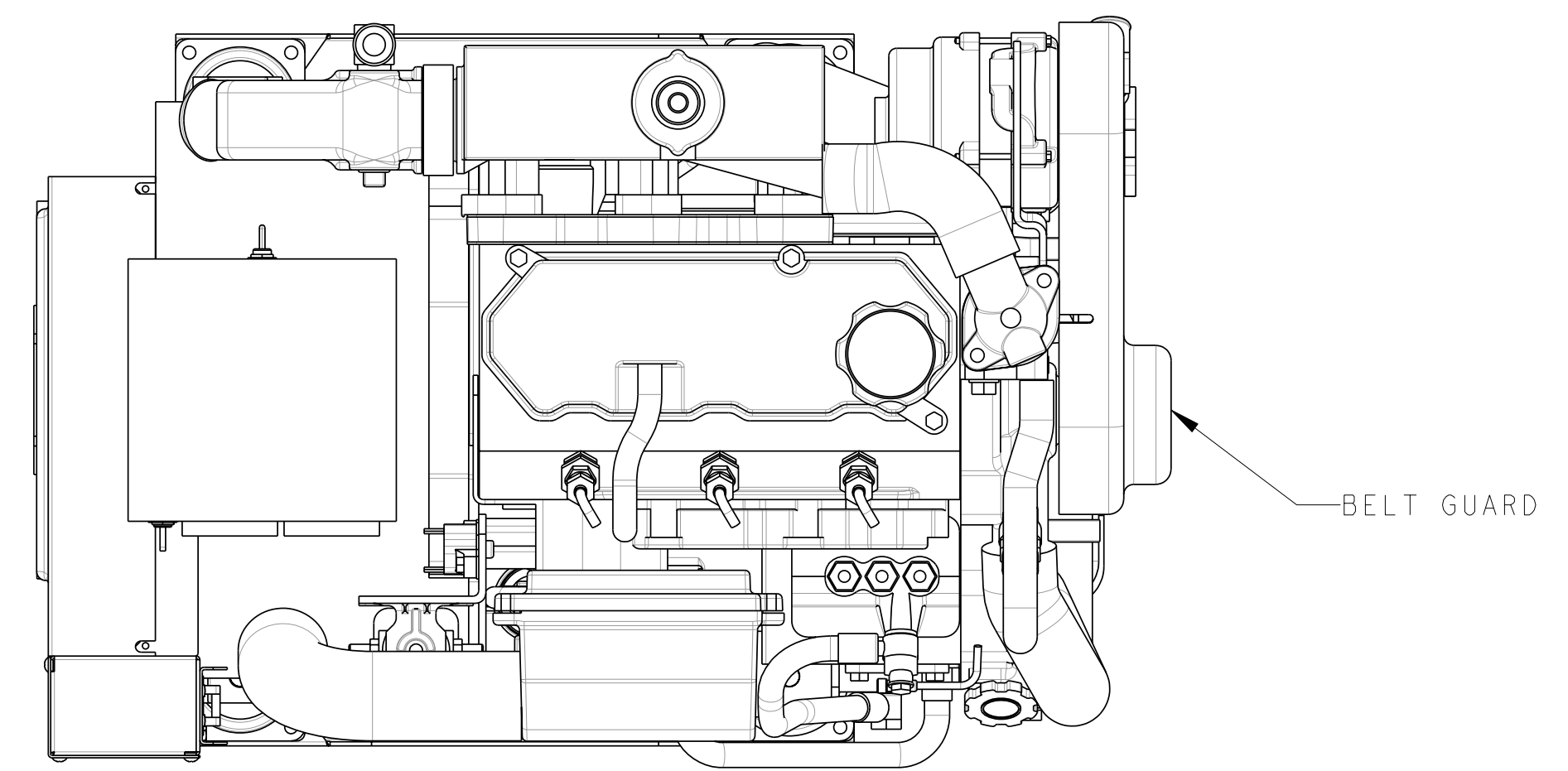


ECO NO.	DATE	REV.	REVISION RECORD	AUTH.	DR. BY
5322	7-15-02	A	UPDATE ASM TO REFLECT CURRENT BOM		BM
5424	12-12-02	B	ADDED PART #48076 TO ASSEMBLY		BM
6184	3-31-06	C	FIXED TITLE		GA



MODEL WITH 50 AMP ALTERNATOR

TOLERANCES (UNLESS OTHERWISE NOTED)		WESTERBEKE CORPORATION TAUNTON, MA. 02780	
INCHES	MILLIMETERS	TITLE	MATERIAL
.XX : .02	X. ± 1.0	INSTALLATION DRAWING	
.XXX : .005	.X ± .5	8.0 KW BTDA GENERATOR	
CAST : .03	.XX ± .13		
ANGLES : 5°			
FINISH : 63			
DIMENSIONS		DRAWN BY JM	DATE 18/AUG/99
INCHES (WHEN APPLICABLE)		APPROVED BY	DATE
MILLIMETERS		SCALE 0.250	SIZE
		SHT. 1 OF 2	DRAWING NUMBER
		D	44215
			REV. C